



*Shakti Udyog Limited*

# CPX Thermal Processor



## FEATURES

The **CPX Thermal plate processor** from Shakti is an economical, robust and easy to use processor for all kinds of Thermal plates. The polypropylene tank construction is corrosion resistant and easy on maintenance. Some special user friendly features like auto clean, fluid handling system and plate program are incorporated.

- MAXIMUM PROCESSING WIDTH 66,86,92 Cm
- DEVELOP,WASH,GUM & DRY STATIONS
- MICROPROCESSOR BASED CONTROLS
- EASY TO HANDLE WASTE HANDLING SYSTEM
- NEW DIRECT CHILLING EXCHANGER FOR FASTER COOLING
- MEMORY PROGRAM FOR LEADING PLATE BRANDS
- PLATE COUNT FEATURE
- INTANK ROLLER FOR SMALLER PLATE FEED
- POLYPROPYLENE TANK FOR CORROSION FREE USAGE
- SOFTWARE DIAGNOSTIC PACKAGE FOR FASTER SERVICE

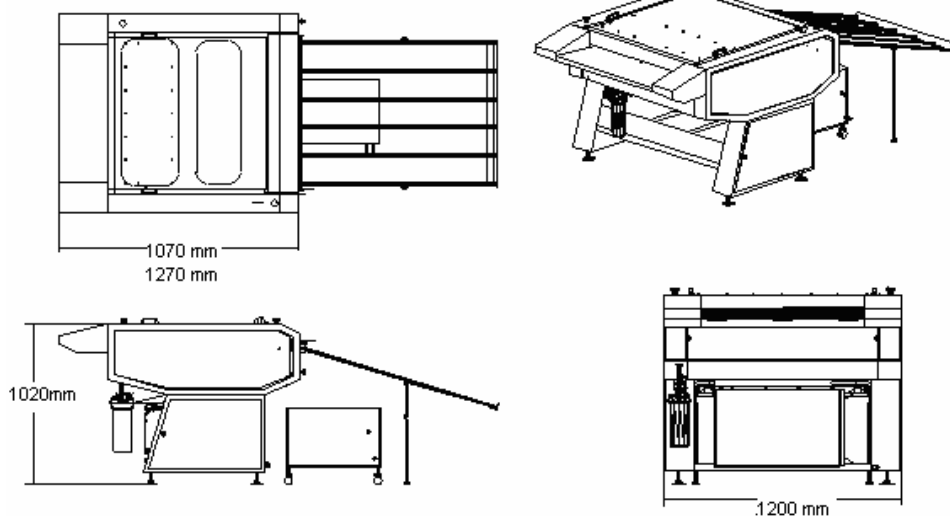
## C P X Thermal Processor

### TECHNICAL SPECIFICATION

MAX PROCESSING WIDTH	860 mm
MIN PROCESSING LENGTH	450 mm
PLATE THICKNESS	0.15 – 0.40 mm
DEVELOPER TANK CAPACITY	38 LITRES
PLATE PROCESSING SPEED	20 – 200 cms/min
DEVELOPER REPLENISHMENT	AREA/PER PLATE/LEVEL BASED
CHILLER	STANDARD
DEVELOPING TEMPERATURE	18 – 35 degrees C +/- 0.2 C
DRIER TEMPERATURE	ROOM TEMPERATURE ~ 70 C
MICROPROCESSOR BASED	PLATE PROGRAMMING FACILITY
FRONT PANEL	LCD DISPLAY
DEVLOPER TANK	TWIN BRUSH ADJUSTABLE
FINISHER	RECYCLABLE
WASH SECTION	BRUSH FOR PLATE WASH
FLUID HANDLING SYSTEM	WASH AND CLEAN

MODEL	DIMENSION (mm)	PROCESSING WIDTH (mm)	POWER REQUIREMENT	GROSS WT.
CPX 660T	1540X1070X1050	660	220 V, 50/60HZ, 25Amps	350 kg
CPX 860T	1540X1270X1050	860	220 V, 50/60HZ, 25Amps	400 kg

Machine Dimensions



Shakthi Udyog Limited  
 12 Second Cross Road  
 R.A.Puram,  
 Chennai – 600028  
 INDIA

Ph:+91-44-24343228 / 24351554  
 Fax; +91-44-24352148  
 Web: <http://www.shaktiudyog.com>  
 Email: [mail@shaktiudyog.com](mailto:mail@shaktiudyog.com)