

## EDLF



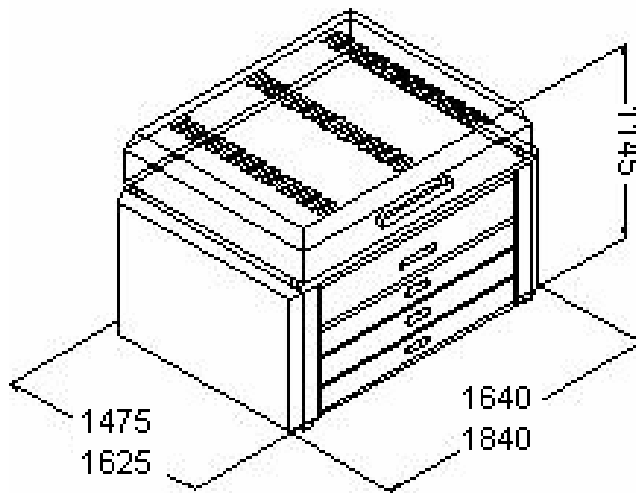
The EDLF (Exposure, Drier and Light finisher) from Shakti is yet another master piece for perfect exposure and finishing of Flexographic plates. With bearing slides on the drier racks, kareen sheet, and special matt sheet for the vacuum bed, its quality all the way. The lamp fault indicator stops all plate wastage. The light finisher is on a easy slide drawer with the power pack hatch on the back for easy servicing.

- EXPOSURE, DRIER AND LIGHT FINISHER
- 80W UVA LAMPS FOR EXPOSURE
- 36W UVC LAMPS FOR LIGHT FINISHING
- 4KW HEATER FOR 3 DRIER RACKS @ 60C
- MAINTANANCE FREE VACUUM PUMP
- LAMP FAULT INDICATORS
- MICROPROCESSOR BASED MEMORY CHANEL
- MANUAL CONTROLS ADDITIONAL FOR MAIN, BACK EXPOSURE AND FINISHER

## EDLF

( EXPOSURE, DRIER AND LIGHT FINISHER)

TECHNICAL DATA	EDLF 3040	EDLF 3648
MAX PLATE SIZE	762 X 1016 mm	914 X 1220 mm
UVA LAMP	16 X 10R 80W	20 X 10R 80W
UVC LAMP	13 X TUV 36W	15 X TUV 36W
OVERALL DIMENSION	1475 X 1640 X 1145 mm	1625 X 1840 X 1145 mm
WEIGHT	300 Kgs	400 Kgs
ELECTRICAL SPEC	220V, 50/60Hz, 40 Amps	220V, 50/60Hz, 45 Amps



Shakti Udyog Limited  
12 Second Cross Road  
R.A.Puram,  
Chennai – 600028  
INDIA



Ph:+91-44-24343228  
/ 24351554  
Fax; +91-44-24352148  
Web: <http://www.shaktiudyog.com>  
Email: [mail@shaktiudyog.com](mailto:mail@shaktiudyog.com)